



*Fabricant de
systèmes d'affichage électronique*

*Electronic Display Systems
Manufacturer*

SCROLL GAS PRICE DISPLAY SYSTEM

ROS SERIES

INSTALLATION MANUAL

REV 4.0



*Fabricant de
systèmes d'affichage électronique*

*Electronic Display Systems
Manufacturer*

WARNING

The ROS Scroll Display System must be installed as per Novyc International's recommendations.

The electrical installation must conform to applicable local regulations.

The ROS Scroll Display System must only be serviced and repaired by qualified and trained personnel.

Installation:

- Do not install a damaged unit.
- Any modification to the product will automatically void the warranty.
- Do not drill holes or screw components to the enclosures.
- Use only the provided mounting brackets to secure the units in the sign cabinet.

Power must be turned off before servicing.

FCC and IC NOTICE

Input Controller (EPC-S40) and Display Interface (EPC-DI30) contain radio transmitter:

FCC ID: T9JRN2903

IC: 6514A-RN2903

This device complies with Part 15 of the FCC rules and Industry Canada licence-exempt RSS standard(s). Operation is subject to the following two conditions: (1) This device may not cause harmful interference and; (2) This device must accept any interference received, including interference that may cause undesired operation.



*Fabricant de
systèmes d'affichage électronique*

*Electronic Display Systems
Manufacturer*

CONTENT

1. Input Controller unit (EPC-S40) - Installation	4
2. Display Interface unit (EPC-DI30) - Installation	5
3. Scroll Display unit (ROS-Dxxx) - Installation	7
4. Verification	10

DOCUMENTS

ROS2-D309UI	ROS2-D309UI - Dimensions, Scroll Display 9-in Digit
ROS2-D312UI	ROS2-D312UI - Dimensions, Scroll Display 12-in Digit
ROS2-D315UI	ROS2-D315UI - Dimensions, Scroll Display 15-in Digit
EPC-S40-Operating Instructions	Input Controller (EPC-S40), Operating Instructions
EPC-S40-Setting Instructions	Input Controller (EPC-S40), Setting Instructions

1. Input Controller Unit (EPC-S40) Installation



EPC-S40 – Input Controller



EPC-S40 – Wall Mount Power Supply 5 Vdc

1.1. Power

- The Input Controller (EPC-S40) is permanently connected.
- A 115 VAC outlet is required.

1.2. Setting

- o Refer to the EPC-S40 Setting Instructions manual.
- o The following parameters must be set:
 - o Number of digits (3 or 4)
 - o Number of levels (Type 1 to 6)
 - o Number of signs (1 or 2)
 - o Pairing

1.3. Pairing Procedure

- o The Input Controller unit (EPC-S40) and the Display Interface unit (EPC-DI30) need to be paired in order to recognize each other. Only paired units can communicate together and data from any other unit will be ignored.
- o Refer to the EPC-S40 Setting Instructions manual.

1.4. P.O.S. Interface available with EPC-S40 Input Controller

- o The price at the sign is set from a serial port.
- o The P.O.S. System is connected to the DB9 (socket) connector.
- o Contact service department for available communication protocols.

2. Display Interface Unit (EPC-DI30) Installation



EPC-DI30 - Display Interface Unit



EPC-DI30 and EPC-PS60-12-LP (LP60W-12)

2.1. WARNING - When installed outdoor, a proper overall weatherproof sign enclosure (NEMA 3) is required.

- The Display Interface unit shall be installed in a RESTRICTED ACCESS LOCATION.
- Any modification to the enclosure will automatically void the warranty.
- Do not drill holes or screw components to the enclosure.

2.2. Mounting

- For optimal communication performances the antenna must be positioned vertically and should not be obstructed by any metallic object (Sign face, Display unit, etc). Install the antenna at the highest possible point.
- Use the lateral mounting bracket to secure the Display Interface.

2.3. Power

- A 115 VAC outlet is required in the sign.
- The AC outlet shall be installed near the equipment and shall be easily accessible.
- Connect the Display Interface (EPC-DI30) to EPC-PS60-12-LP (LP60-12).
- **Important notes (grounding pin):**
This product is equipped with a 3-wire grounding-type plug, a plug having a third (grounding) pin. This plug will only fit into a grounding-type power outlet. This is a safety feature. If you are unable to insert the plug into the outlet, contact a qualified electrician to replace your obsolete outlet. Do not defeat the purpose of the grounding-type plug.

2.4. Input / Output ports



EPC-DI30 - Input / Output Ports



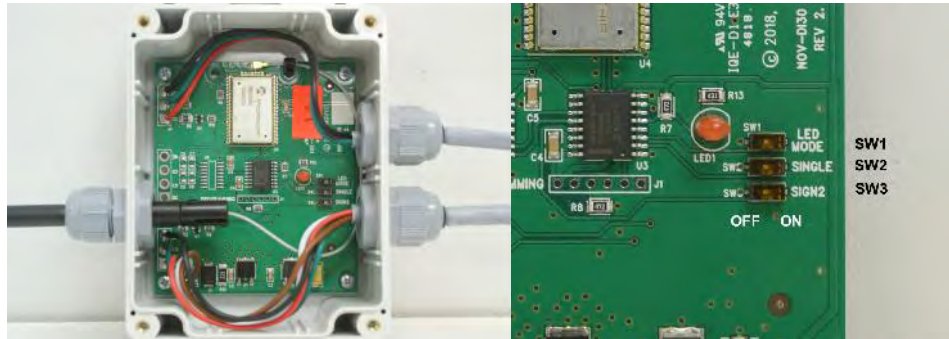
EPC-DI30 Output Cables

- Two cables are provided for the connection to the ROS Scroll units.
 - o Output to the ROS Scroll units (Side 1)
 - 3 wires (Black, Red and Green) terminated with female quick disconnect terminals.
 - 2-position connector to EPC-PS60-12LP (LP60W-12).
 - o Output to the ROS Scroll units (Side 2)
 - 3 wires (Black, Red and Green) terminated with female quick disconnect terminals.

2.5. Configuration

- To provide the appropriate feedback to the Input Controller (EPC-S40), the Display Interface (EPC-DI30) needs to be properly configured.
- 1-Pylon Installation
 - o For a 1-pylon installation the Display Interface (EPC-DI30) must be set to SIGN1.
 - o The Input Controller (EPC-S40) must be set for a single pylon operation.
 - o Refer to the Input Controller (EPC-S40) Setting Instructions.
- 2-Pylon Installation
 - o For a 2-pylon installation:
 - The Display Interface (EPC-DI30) in the Pylon 1 must be set to SIGN1.
 - The Display Interface (EPC-DI30) in the Pylon 2 must be set to SIGN2.
 - o The Input Controller (EPC-S40) must be set for a double pylon operation.
 - o Refer to the Input Controller (EPC-S40) Setting Instructions.
- Single / Double side pylon
 - o The Display Interface (EPC-DI30) must be set for a single or double side pylon.

	OFF	ON
SW1	Scroll Mode	LED Mode
SW2	Double Side	Single Side
SW3	Sign 1	Sign 2



2.6. Pairing Procedure

- o The Input Controller unit (EPC-S40) and the Display Interface unit (EPC-DI30) need to be paired in order to recognize each other. Only paired units can communicate together and data from any other unit will be ignored.
- o Refer to the EPC-S40 Setting Instructions manual.

3. Scroll Display Unit (ROS2-Dxxx) Installation

3.1. WARNING - IMPORTANT NOTES

- The Scroll Display unit shall be installed in a RESTRICTED ACCESS LOCATION.
- Do not install a damaged Scroll Display unit.
- Any modification to the enclosure will automatically void the warranty.
- Do not drill holes or screw components to the enclosure.

3.2. Mounting

- Use the lateral mounting bracket to secure the Led Display units in the sign cabinet.
- For mechanical details, refer to "ROS2-Dxxx - Enclosure Specification" document.



Scroll Display Unit



Lateral Mounting Bracket

3.3. Service Access

- Front access to the sign is required for service.
- For simple easy access, and one man operation, we highly recommend that the sign face be hinged.

3.4. Sign Face Position and Window

- The Scroll Display unit enclosure must be installed right up against the sign face for best visibility.
- Recommended window opening and position:
 - Refer to the following Enclosure Specification document:
 - ROS2-D412CI
 - ROS2-D415CI

3.5. Scroll Display Unit (ROS2-Dxxx) Configuration

- The Scroll Display unit must be configured for the appropriate product type (Type 1 to Type 6).
- Remove the side cover located on the left side of the unit (6 screws).
- Set the configuration jumper as follows:
 - Type 1 Jump pin 1 and pin 2
 - Type 2 Jump pin 2 and pin 3
 - Type 3 Jump pin 3 and pin 4
 - Type 4 Jump pin 4 and pin 5
 - Type 5 Jump pin 5 and pin 6
 - Type 6 Jump pin 6 and pin 7



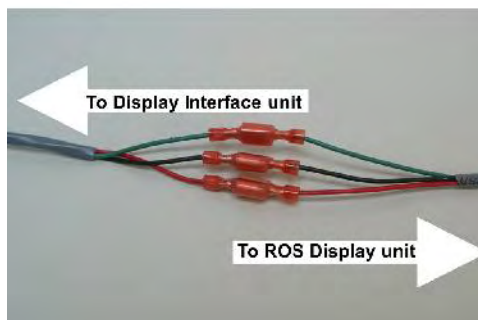
Side Cover



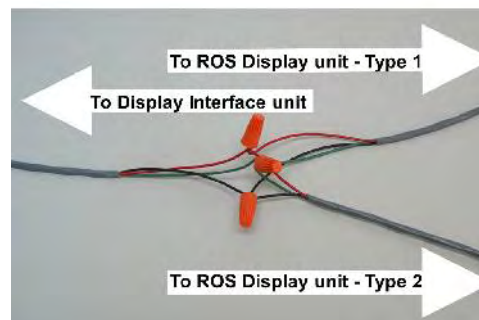
Configuration Jumpers – pin 1 and 2

3.6. Interconnection

- **IMPORTANT NOTE:** It is highly recommended that the Scroll Display unit facing the kiosk be connected to side 1 output. The side 1 is always scrolling first, providing immediate feedback to the operator.
- Interconnections between the Display Interface (EPC-DI30) and the Scroll Display units (ROS2-Dxxx).
- All connections are made color to color:
 - Red to Red DC +
 - Black to Black DC -
 - Green to Green Control Signal
- **Interconnection**
 - Side 1
 - Connect all Scroll Display units of side 1 together.
 - Connections to the output port 1 of the Scroll Display Interface unit:
 - Black to Black
 - Red to Red
 - Green to Green
 - Side 2
 - Connect all Scroll Display units of side 2 together;
 - Connections to the output port 2 of the Scroll Display Interface unit:
 - Black to Black
 - Red to Red
 - Green to Green



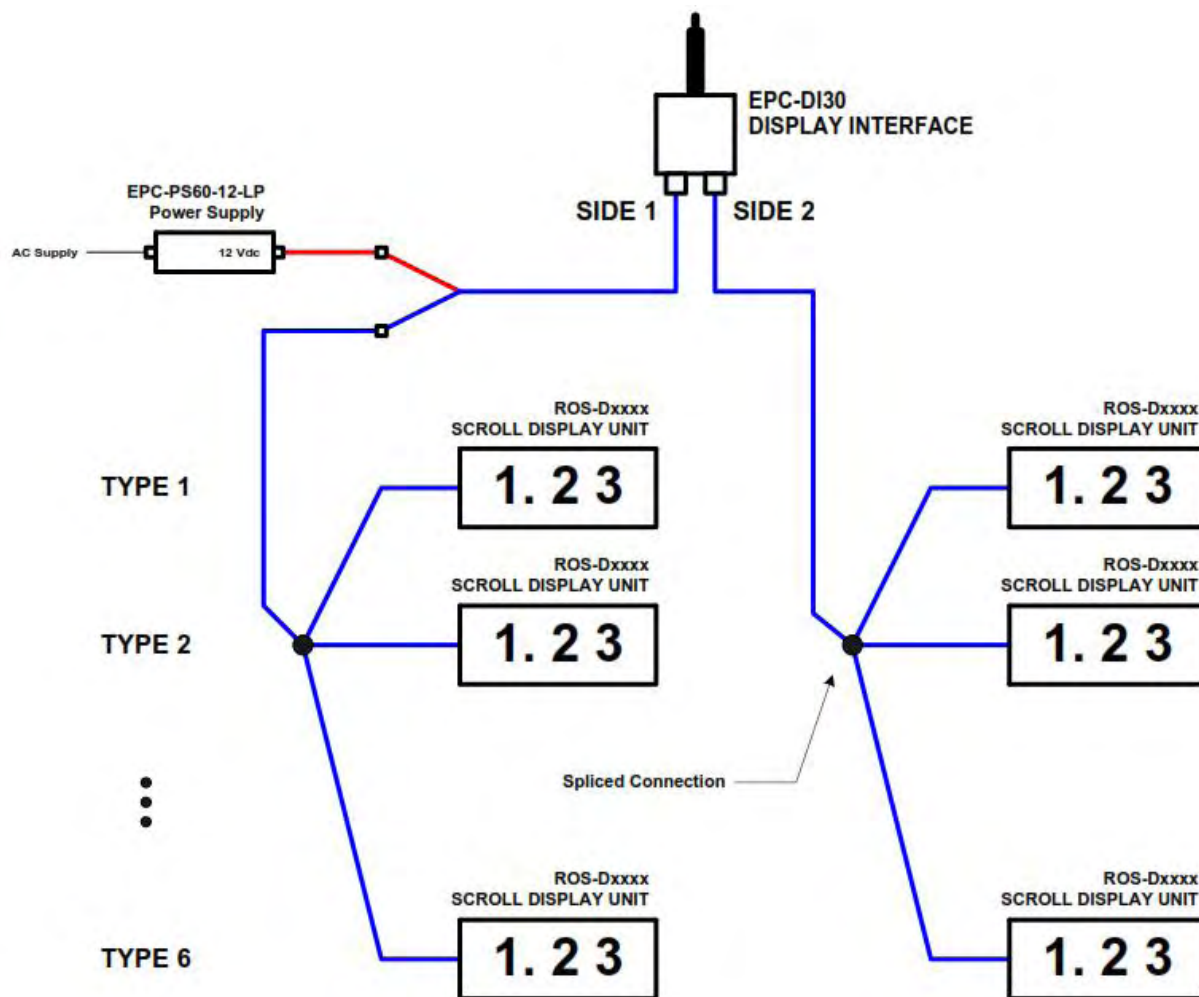
Standard Connection for 1 Level



Marette Connections for multiple levels

- For the interconnection of a multiple level system, replace the Quick Disconnect connectors by Marette connectors;

SCROLL DISPLAY INTERCONNECTIONS





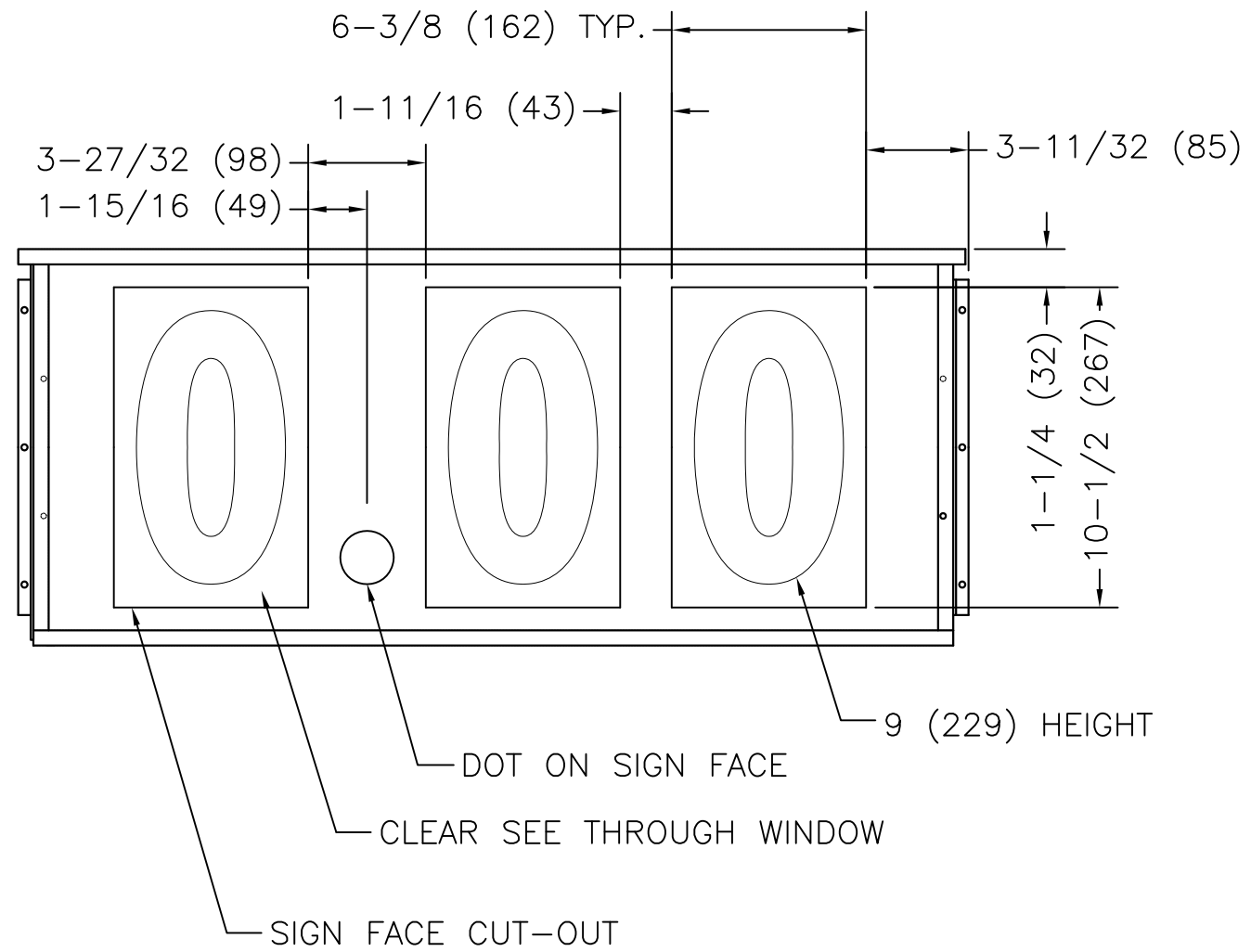
*Fabricant de
systèmes d'affichage électronique*

*Electronic Display Systems
Manufacturer*

4. VERIFICATIONS

Selected Price

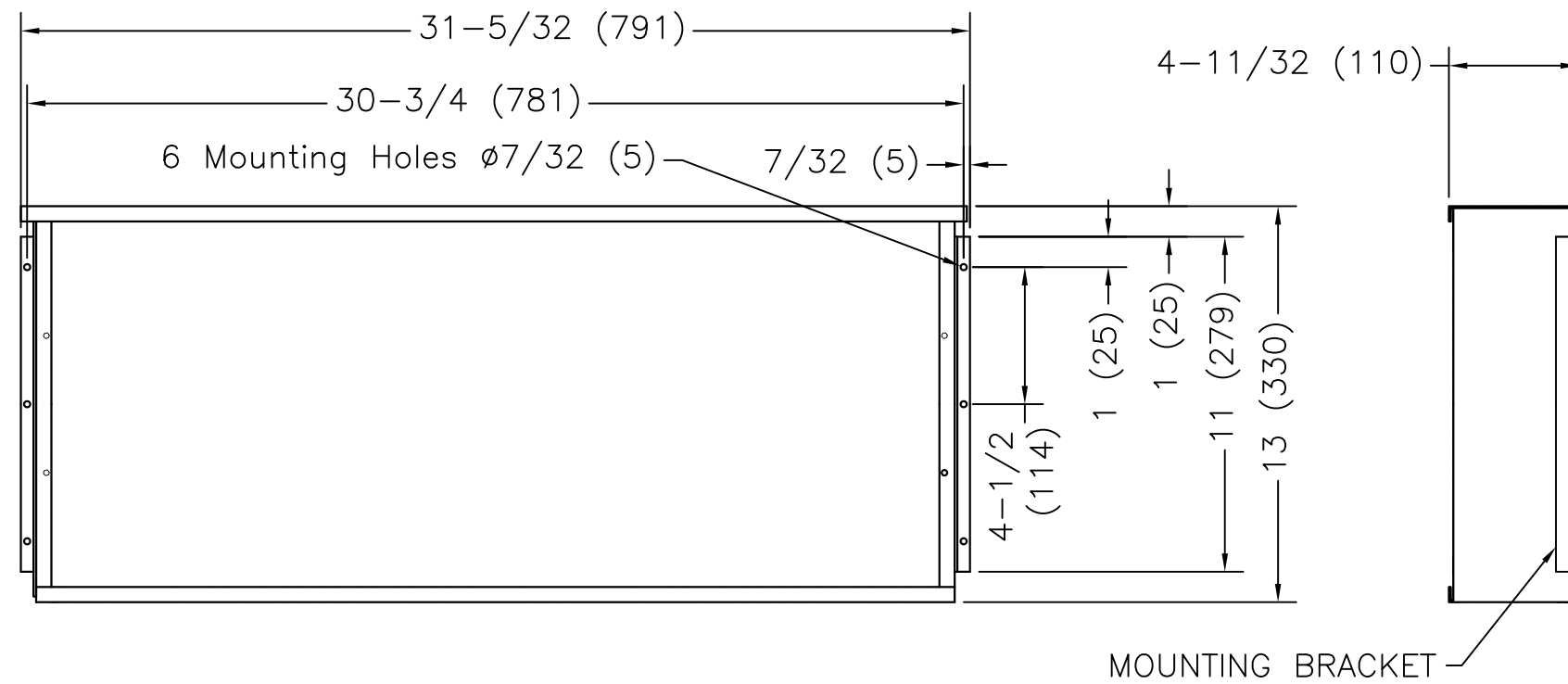
- Select Product 1 (Type 1).
- Set the price to 123.4.
 - Check the displayed price on both sides;
- Set the price to 567.8.
 - Check the displayed price on both sides.
- Repeat for all Product / Types (Type 2 through Type 6).



TRANSLUCENT OR OPAQUE VYNIL
 APPLIED ON SIGN FACE (NOT SUPPLIED BY NOVYC)

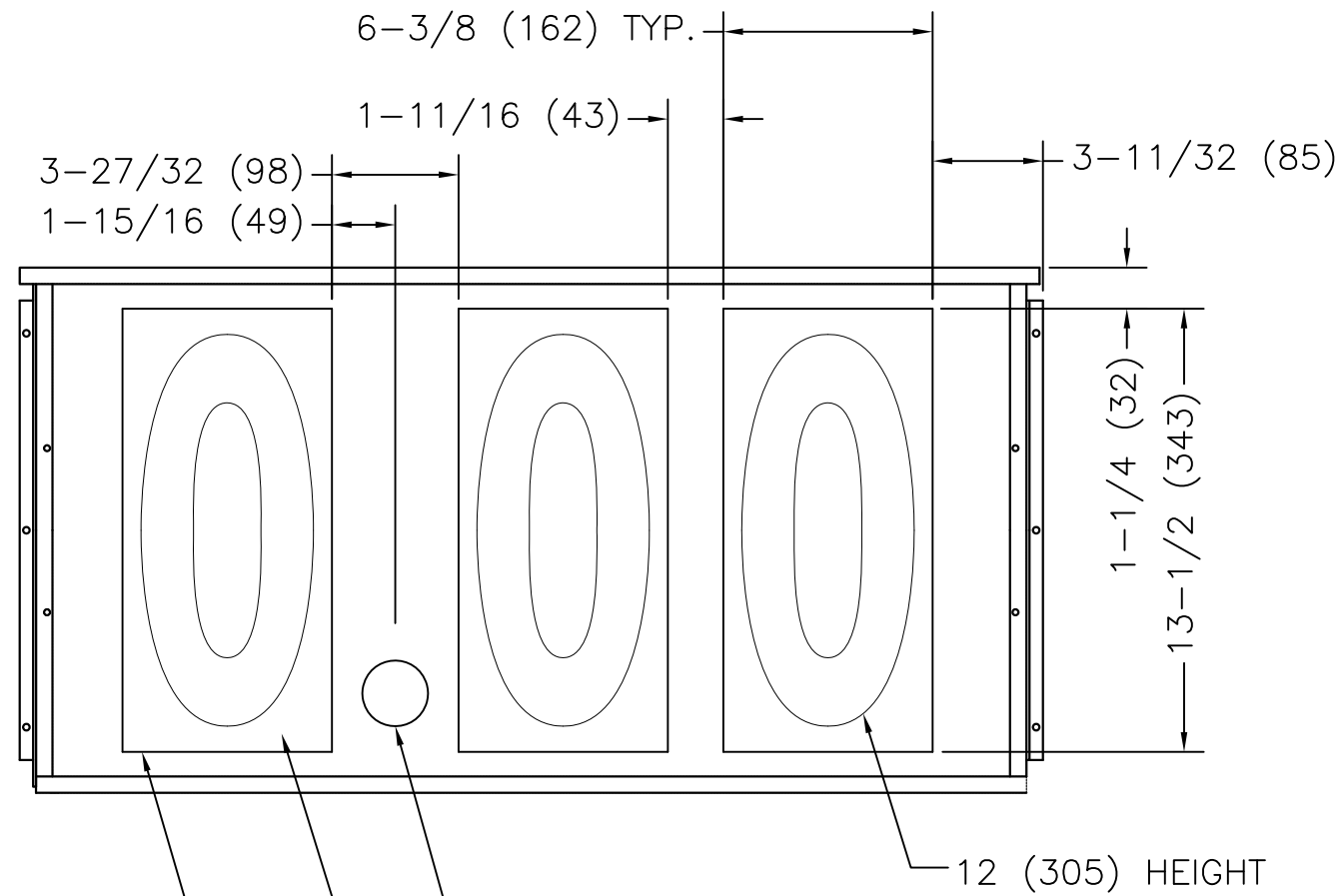
NOTE: All dimensions are in in. (mm)

novyc inc.		2300 Chemin St-François Dorval, Québec H9P 1K2 Tél.:(514) 683-0300 Fax:(514) 683-0068
SIGN FACE WINDOW POSITIONS		
DESSINE PAR: P.SARTI	APP. PAR:	DESSIN NO.: ROS2-D309UI
ECH.:	DATE: 2008/09/16	PAGE: 1/2



NOTE: All dimensions are in in. (mm)

novyc inc.		2300 Chemin St-François Dorval, Québec H9P 1K2 Tél.: (514) 683-0300 Fax: (514) 683-0068
SCROLL DISPLAY, 3 DIGITS, 9"		
DESSINE PAR: P.SARTI	APP. PAR:	DESSIN NO.: ROS2-D309UI
ECH.:	DATE: 2008/09/16	PAGE: 2/2

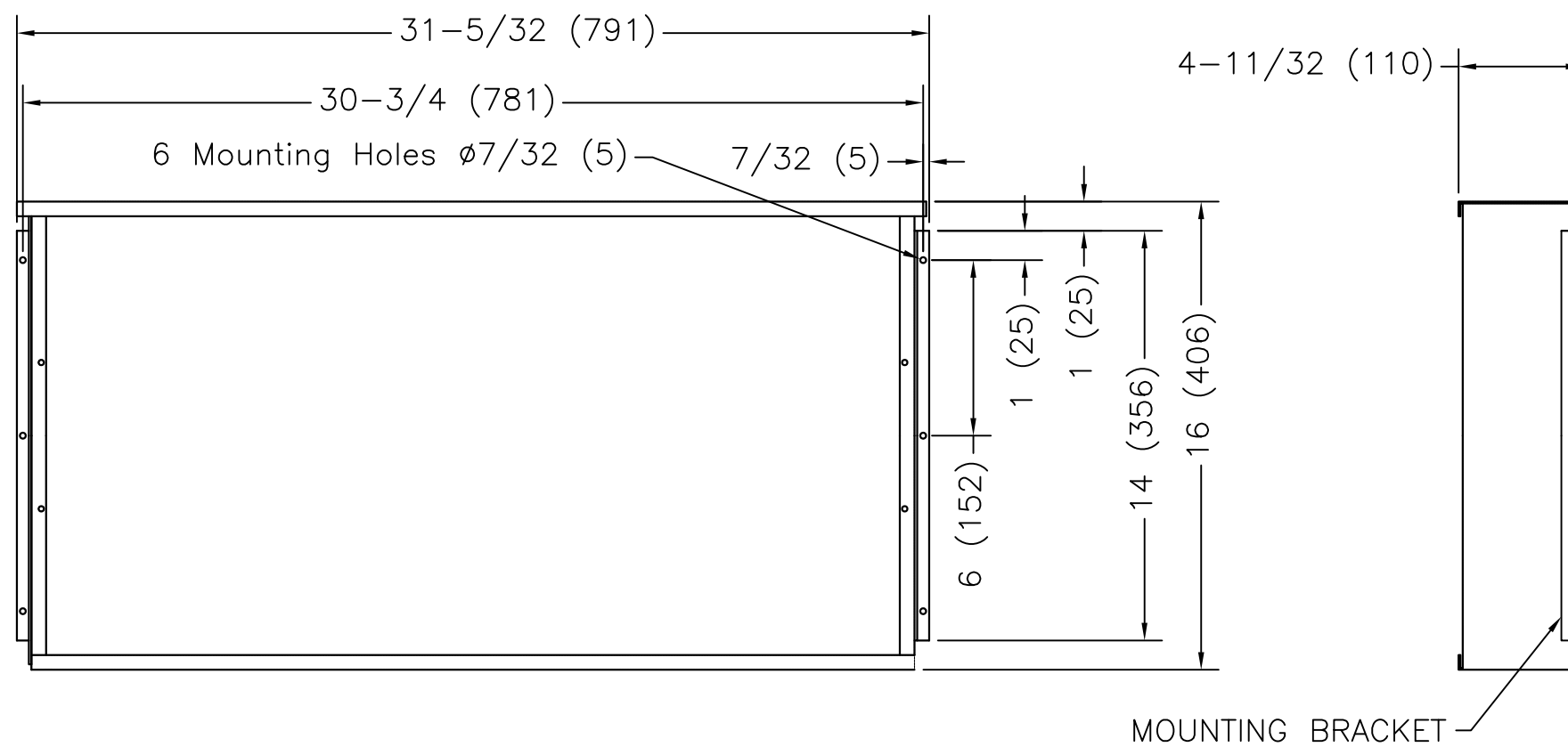


DOT ON SIGN FACE
 CLEAR SEE THROUGH WINDOW
 SIGN FACE CUT-OUT

TRANSLUCENT OR OPAQUE VYNIL
 APPLIED ON SIGN FACE (NOT SUPPLIED BY NOVYC)

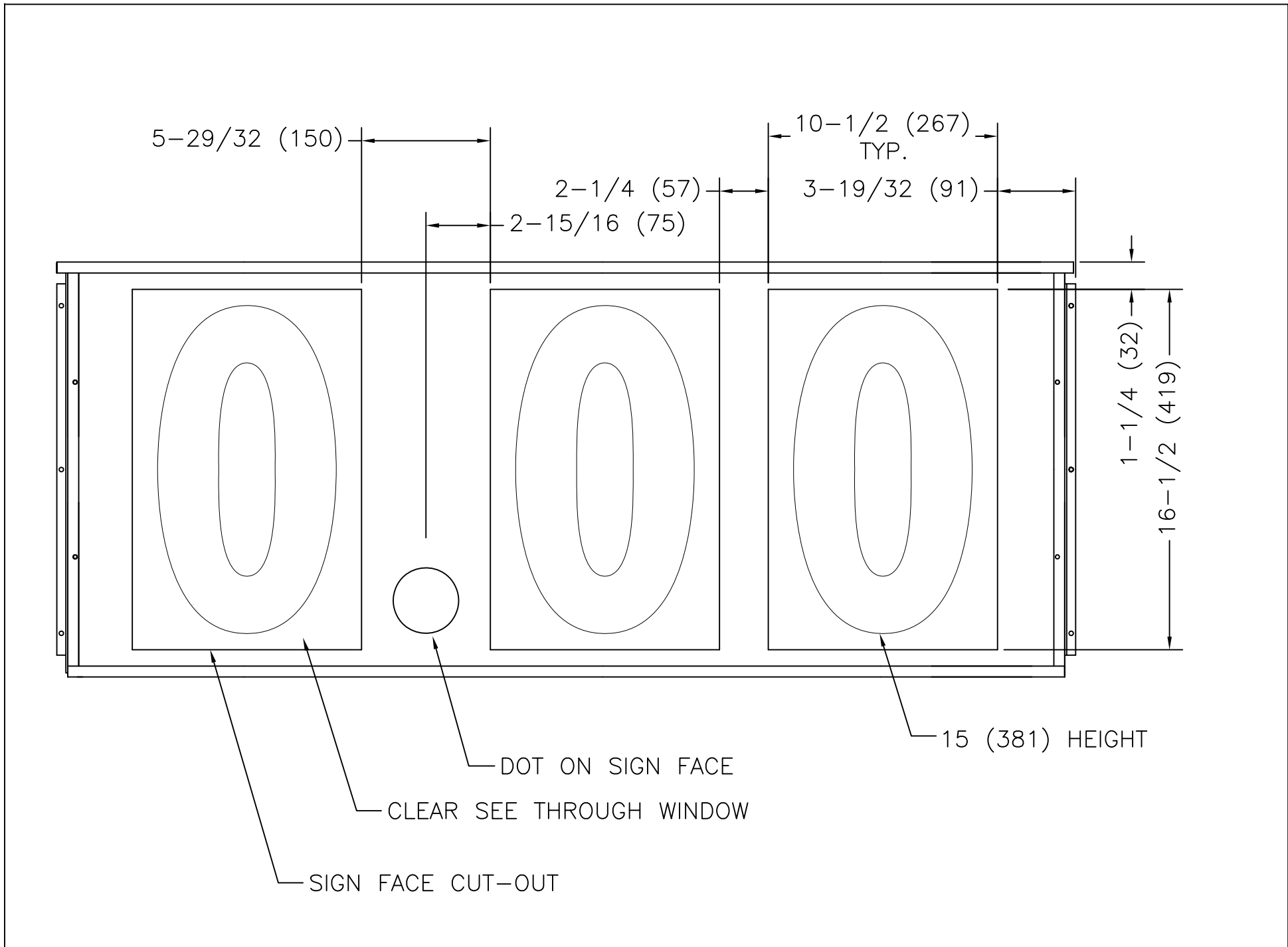
NOTE: All dimensions are in in. (mm)

novyc inc.		2300 Chemin St-François Dorval, Québec H9P 1K2 Tél.:(514) 683-0300 Fax:(514) 683-0068
SIGN FACE WINDOW POSITIONS		
DESSINE PAR: P.SARTI	APP. PAR:	DESSIN NO.: ROS2-D312UI
ECH.:	DATE: 2008/09/16	PAGE: 1/2



NOTE: All dimensions are in in. (mm)

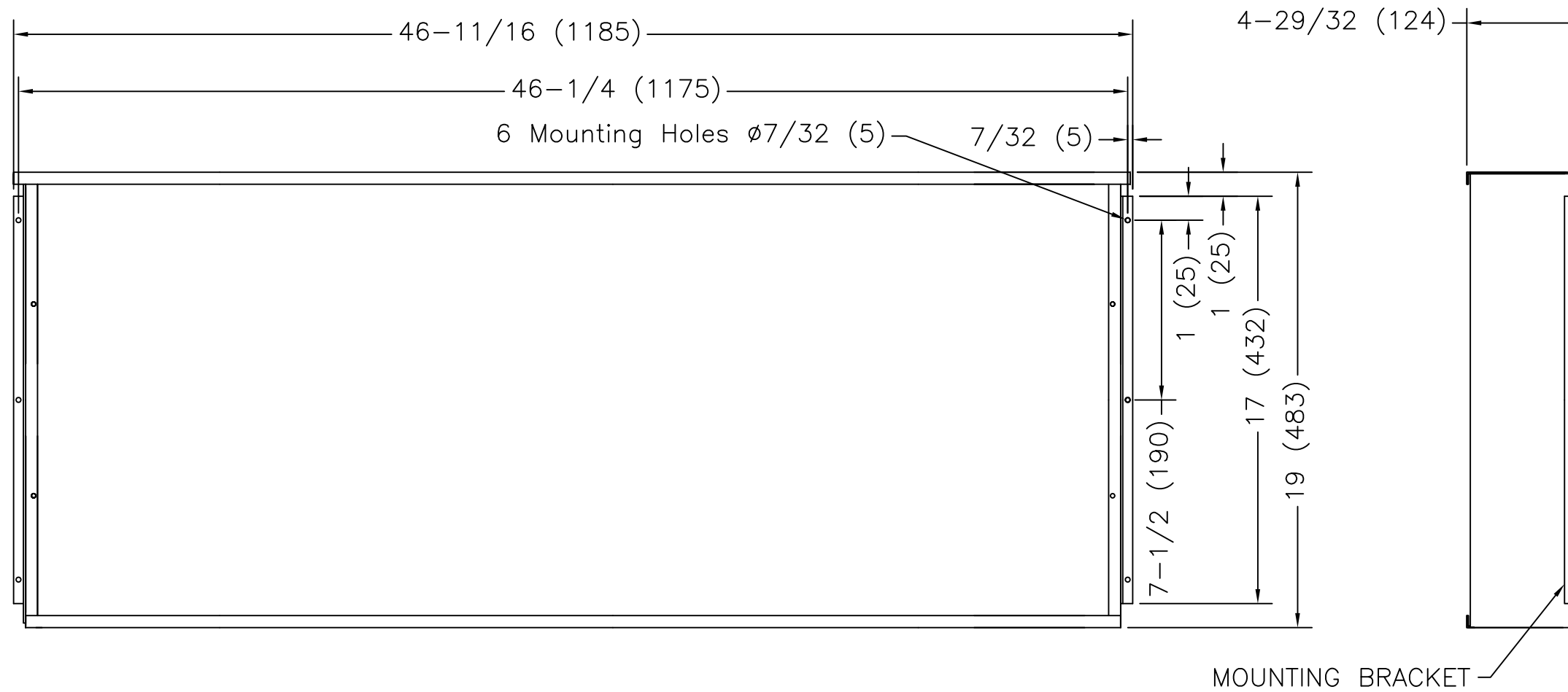
novyc inc.		2300 Chemin St-François Dorval, Québec H9P 1K2 Tél.:(514) 683-0300 Fax:(514) 683-0068
SCROLL DISPLAY, 3 DIGITS, 12"		
DESSINE PAR: P.SARTI	APP. PAR:	DESSIN NO.: ROS2-D312UI
ECH.:	DATE: 2008/09/16	PAGE: 2/2



TRANSLUCENT OR OPAQUE VYNIL
APPLIED ON SIGN FACE (NOT SUPPLIED BY NOVYC)

NOTE: All dimensions are in in. (mm)

novyc inc.		2300 Chemin St-François Dorval, Québec H9P 1K2 Tél.:(514) 683-0300 Fax:(514) 683-0068
SIGN FACE WINDOW POSITIONS		
DESSINE PAR: P.SARTI	APP. PAR:	DESSIN NO.: ROS2-D315UI
ECH.:	DATE: 2008/09/16	PAGE: 1/2



NOTE: All dimensions are in in. (mm)

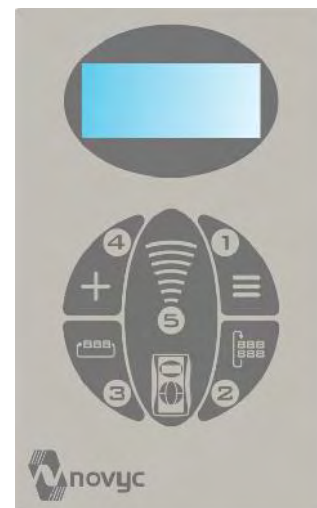
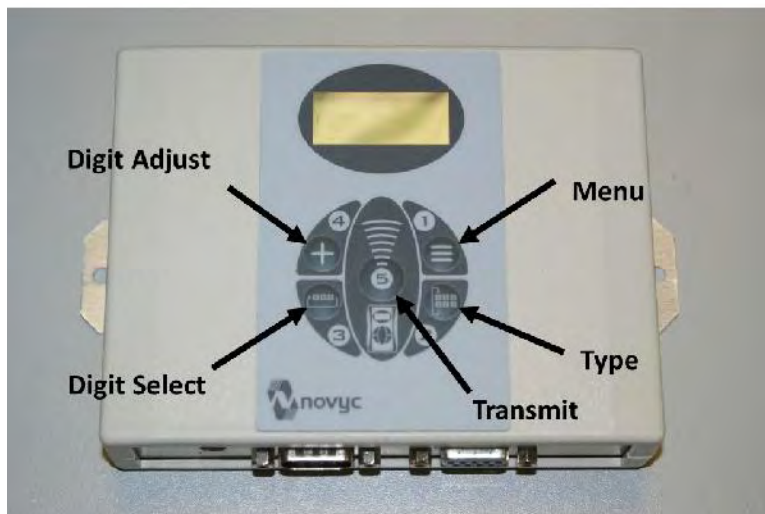
novyc inc.		2300 Chemin St-François Dorval, Québec H9P 1K2 Tél.: (514) 683-0300 Fax: (514) 683-0068
SCROLL DISPLAY, 3 DIGITS, 15"		
DESSINE PAR: P.SARTI	APP. PAR:	DESSIN NO.: ROS2-D315UI
ECH.:	DATE: 2008/09/16	PAGE: 2/2

EPC-S40 - INPUT CONTROLLER UNIT - OPERATING INSTRUCTIONS

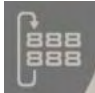



Upon power-up the software version and the transmit frequency shows for 20 seconds.

In IDLE mode, the selected POS mode is displayed.

Depress the MENU key (1) to view the software version S40-VX.X and ID.

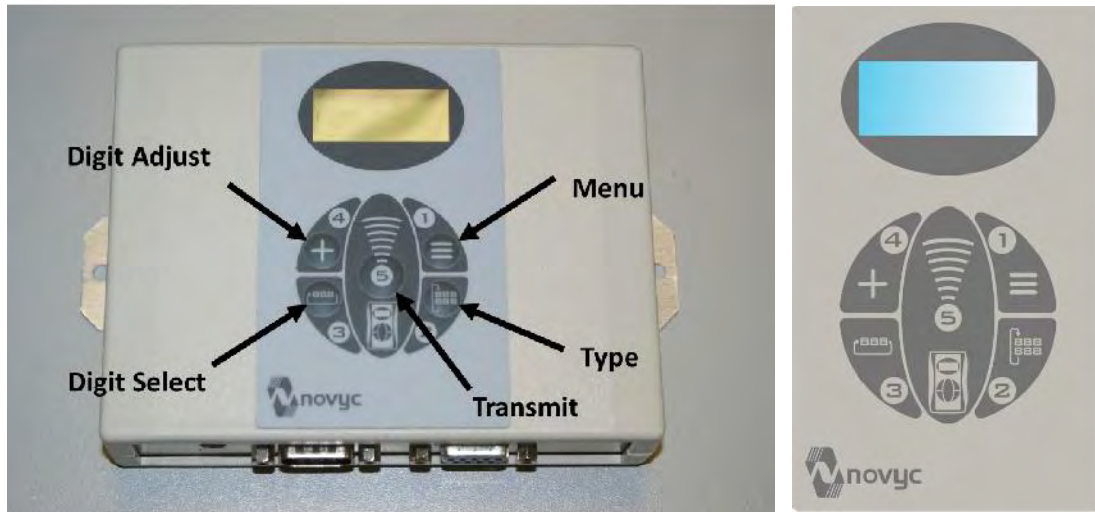


TO CHANGE THE PRICE, PROCEED AS FOLLOWS:

1. **SELECTING THE TYPE (PRODUCT)**
- Depress the TYPE key (2) repeatedly to select the Type (Product) to be changed. 
2. **SELECTING THE DIGIT**
- Depress the DIGIT SELECT key (3) repeatedly to select the digit to be changed. 
3. **ADJUSTING THE DIGIT**
- Depress the DIGIT ADJUST key (4) repeatedly to adjust the selected digit.
- Repeat steps 2 and 3 for all digits. 
4. **SENDING THE NEW PRICE**
- Once the new price is set, depress the TRANSMIT key (5) to send the new price.
- Proceed with the next Type (Product). 
5. **RETURNING TO IDLE MODE**
- If no key is depressed for 12 seconds, the EPC-S40 automatically returns to Idle Mode.

EPC-S40 - INPUT CONTROLLER UNIT SETTING INSTRUCTIONS

Software V1.2



1. IDLE MODE

- In IDLE mode, the selected POS Protocol will show:

- NOVYC
- GILBARCO CEM44
- NeXGen ANDI

- Depress the MENU key (1) to show the software version (S40-V1.2) and address ID for 8 seconds.



- Refer to the Operating Instruction Manual to change the price.

Note: If no key is depressed for 16 seconds, the unit will automatically return to IDLE mode.

Note: The POS communication is enabled only in Idle Mode

2. AUTO PAIRING MODE

Activate the LEARN mode of the Display Interface at the sign.

- Turn off the power at the sign, wait for 30 seconds.
- Turn on the power at the sign, the Display Interface will be in LEARN mode for 10 seconds.

Activate the AUTO PAIRING mode while the Display Interface is in LEARN mode.

- From the Input Controller (EPC-S40) in Idle Mode:
 - Depress and release the TRANSMIT key (5)
 - Depress and release the MENU key (1) within 1 second.



- The message "AUTO -1- PAIRING" will show.
- The message "AUTO -2- PAIRING" may follow if the Input Controller (EPC-S40) is set for 2-Sign operation.
- The messages "PAIRED" or "PAIRING FAILED" will show the success of pairing.
- The Auto pairing is completed.
- After the AUTO PAIRING the Input Controller will automatically go to the OPTION menu. Refer to Section 3 OPTION menu.

3. OPTION MENU

Note 1: If no key is depressed for 16 seconds, the unit will automatically return to IDLE mode.

Note 2: To access the OPTION menu, the Input Controller needs to go through the AUTO PAIRING mode.

3.1 TO ENTER THE OPTION MENU

- From Idle Mode:

- Depress and release the TRANSMIT key (5)
- Depress and release the MENU key (1) within 1 second.



- The AUTO PAIRING messages will show, wait until they disappear.

OPTION MENU

- The message PASSWORD ???????? will follow.

- Wait until the message PASSWORD ???????? disappears and depress the TYPE key (2) within one (1) second.



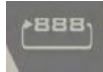
- The message PASSWORD ???????? will show again.

- Wait until the message PASSWORD ???????? disappears.

- The message S40-V1.2 OPTIONS will show.

3.2 PARAMETER SELECTION

- Depress the DIGIT SELECT key (3) to scroll through the OPTION menu.



- Depress the DIGIT ADJUST (4) key to change the parameters.



- Depress the TYPE key (2) to save the parameters and return to IDLE mode.



3.3 PARAMETERS

Length (number of digits)

- Select the number of displayed digits from 3 to 6.
 - 888
 - 8888
 - 88888
 - 888888

DP (Decimal Point Position)

- Select the position:

- All DPs	8888	Decimal point 'ON' at all positions
- Place DP	888.8, 88.88, 8.888	Decimal point 'ON' at selected position
- No DP	8888	Decimal point 'OFF'

Digit 1:

- Set the first digit to 1 or 8
 - 1888 First digit of the Display unit is 1 or blank
 - 8888 Full first digit

US Mode:

- Set the last digit to 9 or 8
 - 8889 Last digit of the Display unit is fixed 9 (US MODE)
 - 8888 Full last digit

Sign

- Set the number of signs
 - 1-Sign Price return checked for Sign 1
 - 2-Sign Price return checked for Sign 1 and Sign 2
 - 0-Sign Price return not checked

S1 Types

- Select the installed price levels (Type) at Sign 1 from Type 1 to Type 8

S2 Types

- Select the installed price levels (Type) at Sign 2 from Type 1 to Type 8

- Depress the DIGIT ADJUST key (4) to select the Price Level



- Depress the TRANSMIT key (5) to activate / deactivate the Price Level



Example

Sign 1	1234	Type 1 to Type 4 installed at Sign 1
Sign 2	12_4	Type 1, 2 and 4 installed at Sign 2

Change Transmission Frequency

ID: 00XXX (Device Identification Address)

XXX.XX MHz

Set the transmission frequency to: 903.0, 904.6, 906.2, 907.8, 909.4, 911.0, 912.6, 917.4, 919.0, 920.6, 922.2, 923.8, 925.4, 927.0 MHz

Flashing Mode

- Set the FLASHING MODE to "ON" or "OFF".

Led Check

- Set the time interval in minutes between LED Checks:
 - 1, 2, 4, 8, 16, 32, 64 minutes
 - Select "0" to disable the LED Check

Transmit Repeat

- Set the number of transmission to: 1, 2, 4, 8

**POS:
NOVYC or CEM44 or NXG ANDI**

- Select between protocols
- Depress the DIGIT ADJUST key (4) to select



Parameters for NEXGEN ANDI

**TYPE 1: X (X = 1 to 8)
YYYY YY**

- Select the product to be displayed at TYPE 1
- Depress the DIGIT ADJUST key (4) to select from 1 to 8



- Select the price level to be displayed at TYPE 1
- Depress the TRANSMIT key (5) to select one of the following combinations.



YYYY YY	
SELF CSH	Self Service / Cash
SELF CRE	Self Service / Credit
FULL CSH	Full service / Cash
FULL CRE	Full Service / Credit

- Repeat for TYPE 2 to TYPE 8

**POS Shift:
0, 1, 2 or 3**

- Shift right the price from NeXGen, 0, 1, 2, or 3 digits
- Depress the DIGIT ADJUST key (4) to select 0, 1, 2, or 3



3.4 SAVING THE PROGRAMMED PARAMETERS

- Depress the TYPE key (2) to save the parameters and return to IDLE mode.

